

GEZE Perlan 140 Duosync

The roller design fitting for synchronised opening and closing of 2-leaf doors

Following installation of the practical Perlan 140 Duosync, 2-leaf sliding doors are moved synchronously, so that both leaves can be opened and closed conveniently with only one handle. This happens almost silently thanks to precision ball bearings and the toothed belt connection. The roller design fitting can be concealed by the GEZE clip-on cover system as required. It is available for both wooden and glass doors.



APPLICATION RANGE

- For wooden, plastic, glass and metal leaves up to a leaf weight of 140 kg
- For large opening widths of up to 2400 mm, special widths on request
- For leaf widths starting from 500 mm
- Compatible with Perlan 140 accessories

TECHNICAL DATA

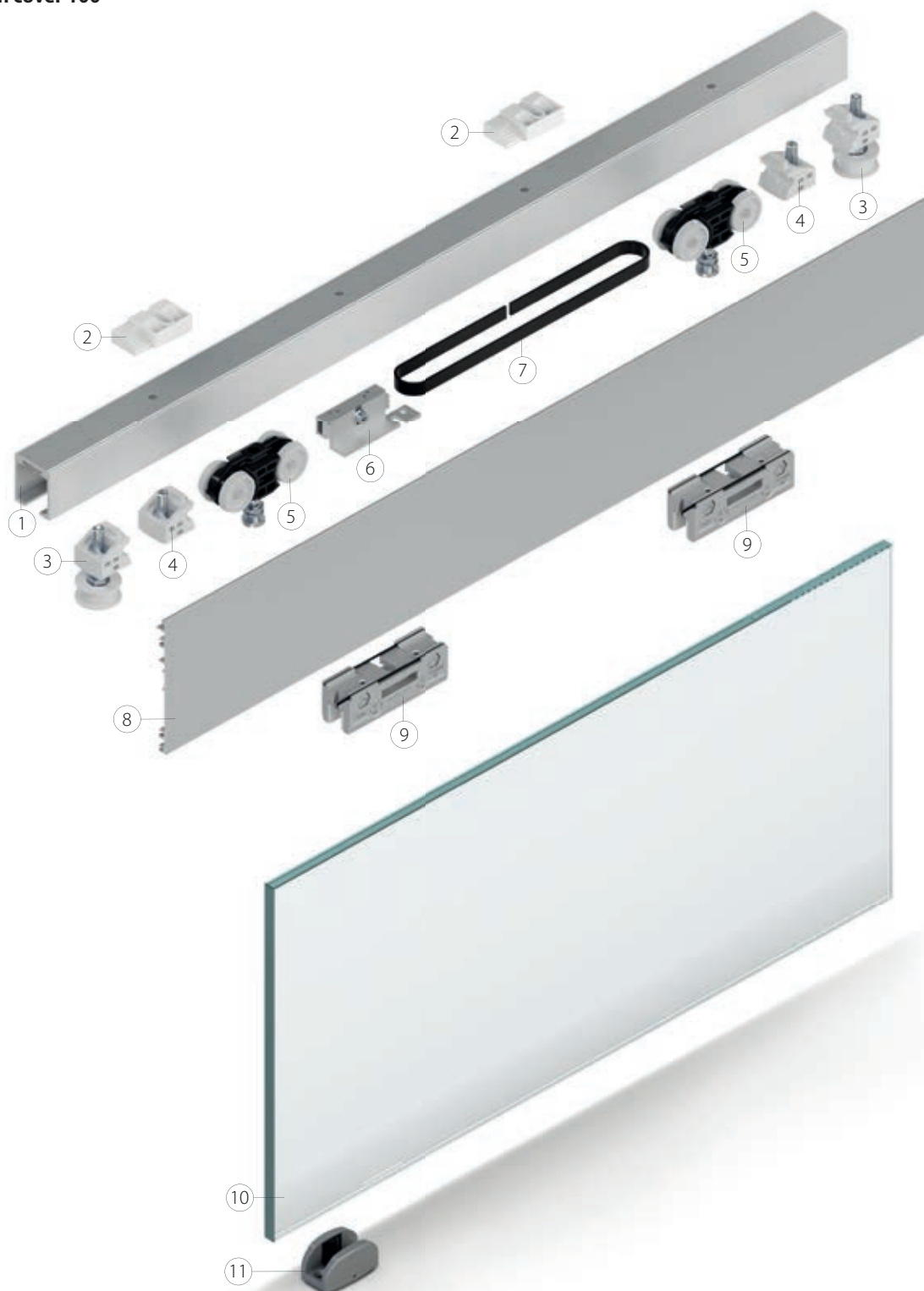
Product features	GEZE Perlan 140 Duosync
Leaf material	Wood, plastic, metal, glass
Leaf weight (max.)	140 kg
Opening width (max.)	2400 mm
Type of installation	Wall installation, ceiling installation
Fixed panel	•

• = yes

GEZE PERLAN 140 DUOSYNC

OVERVIEW OF COMPONENTS

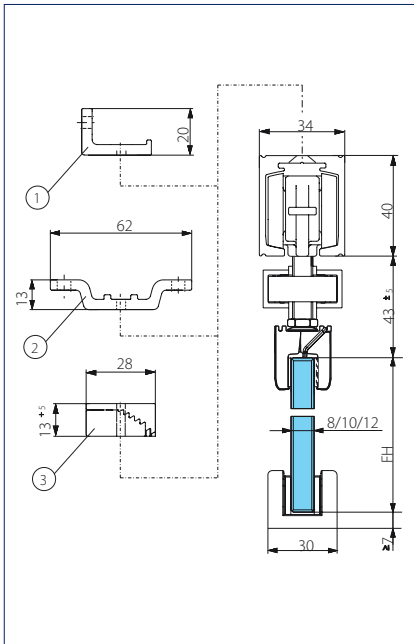
GEZE Perlan 140 Duosync glass leaf ceiling mounting with height compensation mechanism, glass clamping plate 30 mm and clip-on cover 100



- 1 = Track Perlan 140
- 2 = Height compensation mechanism
- 3 = Return pulley Perlan 140
- 4 = End stop Perlan 140
- 5 = Perlan roller carriages 140
- 6 = Driver Glass clamping plate 30 mm

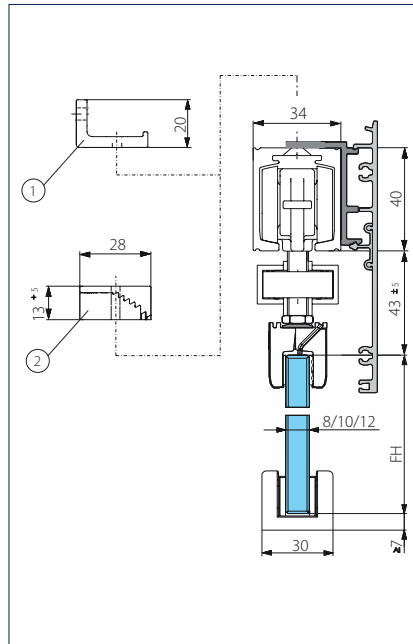
- 7 = Toothed belt
- 8 = Clip-on cover 100
- 9 = Glass clamping plate 30 mm
- 10 = Glass leaf (on site)
- 11 = Floor guide for glass leaf (adjustable)

CROSS-SECTION DRAWINGS



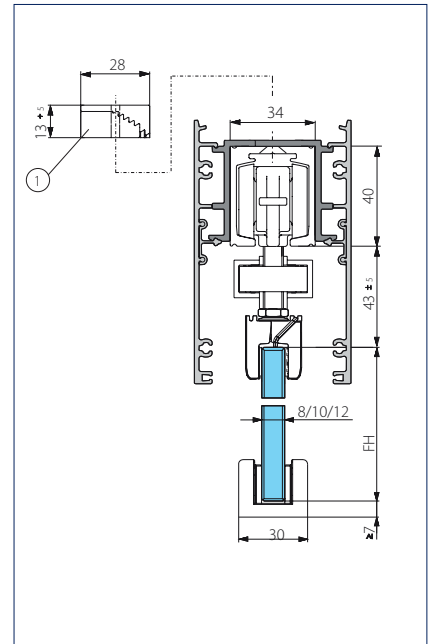
Wall / ceiling mounting glass with glass clamping plate 30

- FH = Leaf height
- 1 = Wall bracket
- 2 = Ceiling bracket
- 3 = Height compensation mechanism



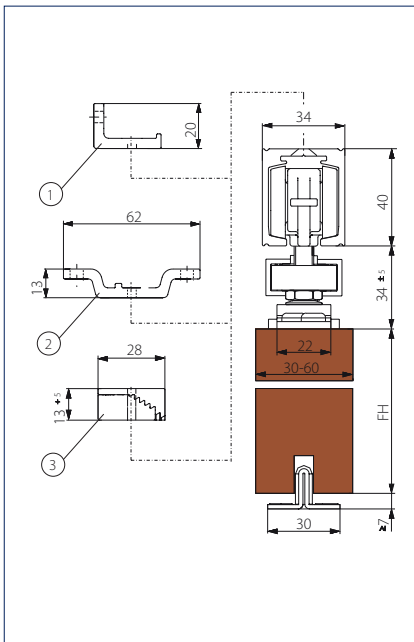
Wall / ceiling mounting glass with glass clamping plate 30 and clip-on cover 100 one-sided

- FH = Leaf height
- 1 = Wall bracket
- 2 = Height compensation mechanism



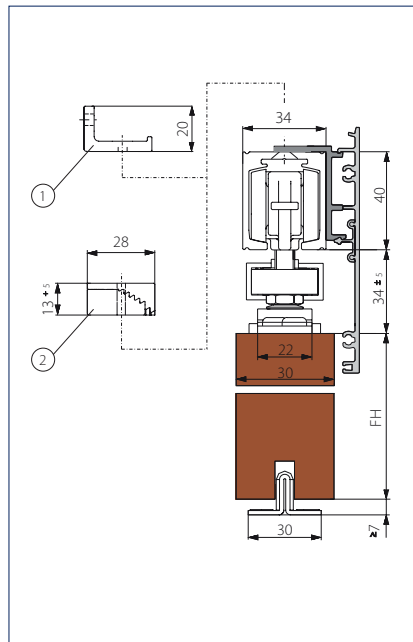
Wall / ceiling mounting glass with glass clamping plate 30 and clip-on cover 100 on both sides

- FH = Leaf height
- 1 = Height compensation mechanism



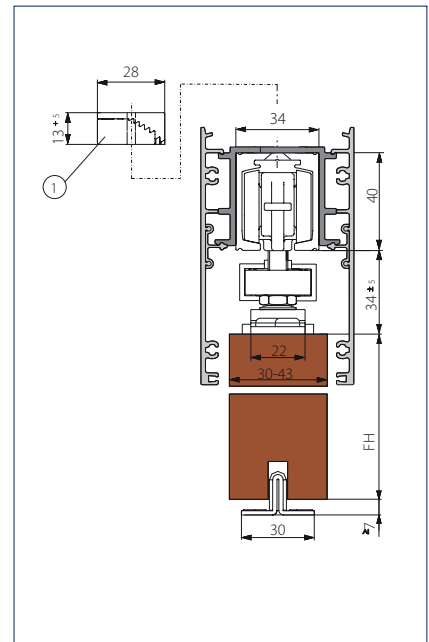
Wall / ceiling mounting wood

- FH = Leaf height
- 1 = Wall bracket
- 2 = Ceiling bracket
- 3 = Height compensation mechanism



Wall / ceiling mounting wood with clip-on cover 100 one-sided

- FH = Leaf height
- 1 = Wall bracket
- 2 = Height compensation mechanism



Wall / ceiling mounting wood with clip-on cover 100 on both sides

- FH = Leaf height
- 1 = Height compensation mechanism

ORDER INFORMATION

Description	ID No.
Perlan Duosync 2 set for wooden leaves For the synchronisation of 2-leaf doors up to 140 kg per leaf, comprising: 2 x return pulley, 2 x driver wood, toothed belt 12.5m, mounting material	139206
Perlan Duosync 2 set for glass leaves For the synchronisation of 2-leaf doors up to 140 kg per leaf, comprising: 2 x return pulley, 2 x driver, glass clamping plate 45mm, toothed belt 12.5m, mounting material	139207
Accessories	
Driver glass clamping plate 30 mm For Perlan AUT-NT + Duosync 2, including 2 x elongated suspension bolts	143295
Driver glass clamping plate 45 mm for Perlan AUT-NT + Duosync 2, including 2 x elongated suspension bolts	134281
Driver wood for Perlan AUT-NT + Duosync 2, including 2 x elongated suspension bolts	134280